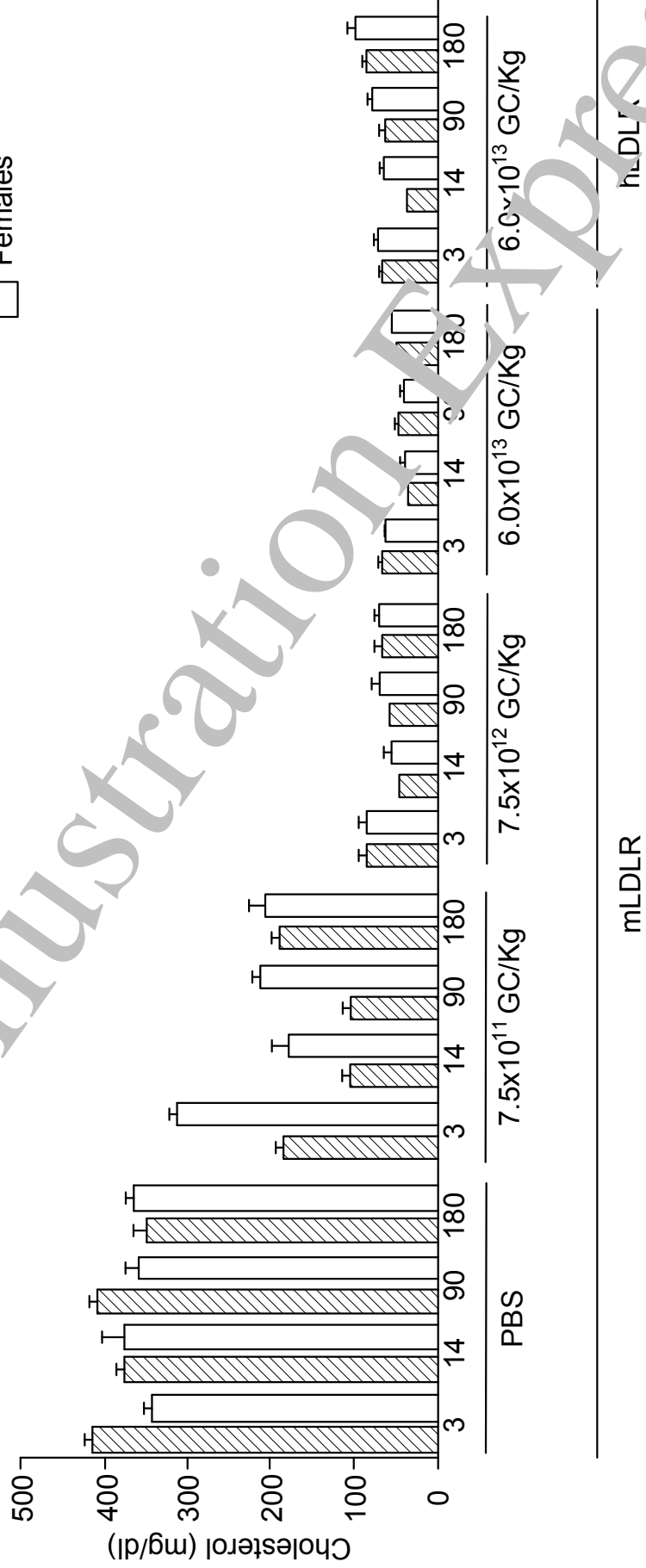


▨ Males
□ Females



mLDLR

FIG. 4

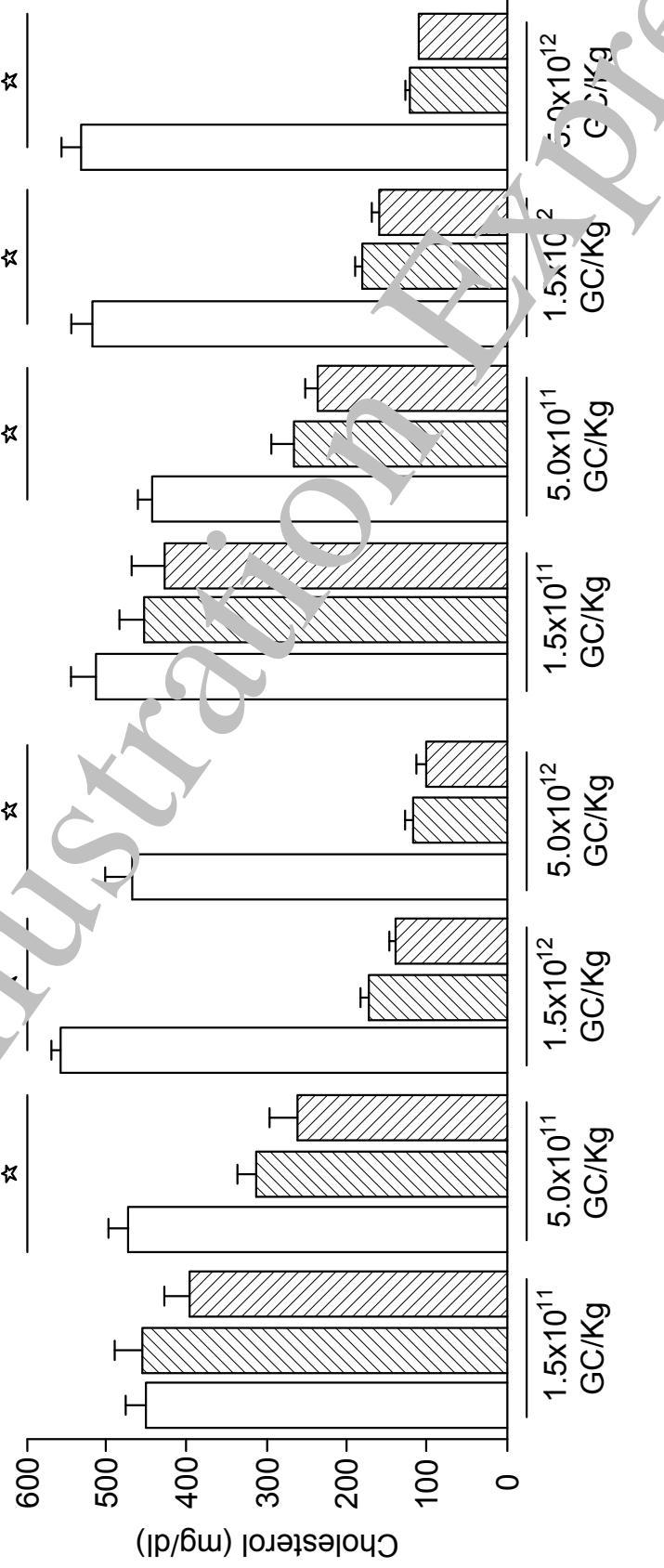
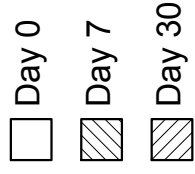


FIG. 5

Patent illustration EP Press

6/14

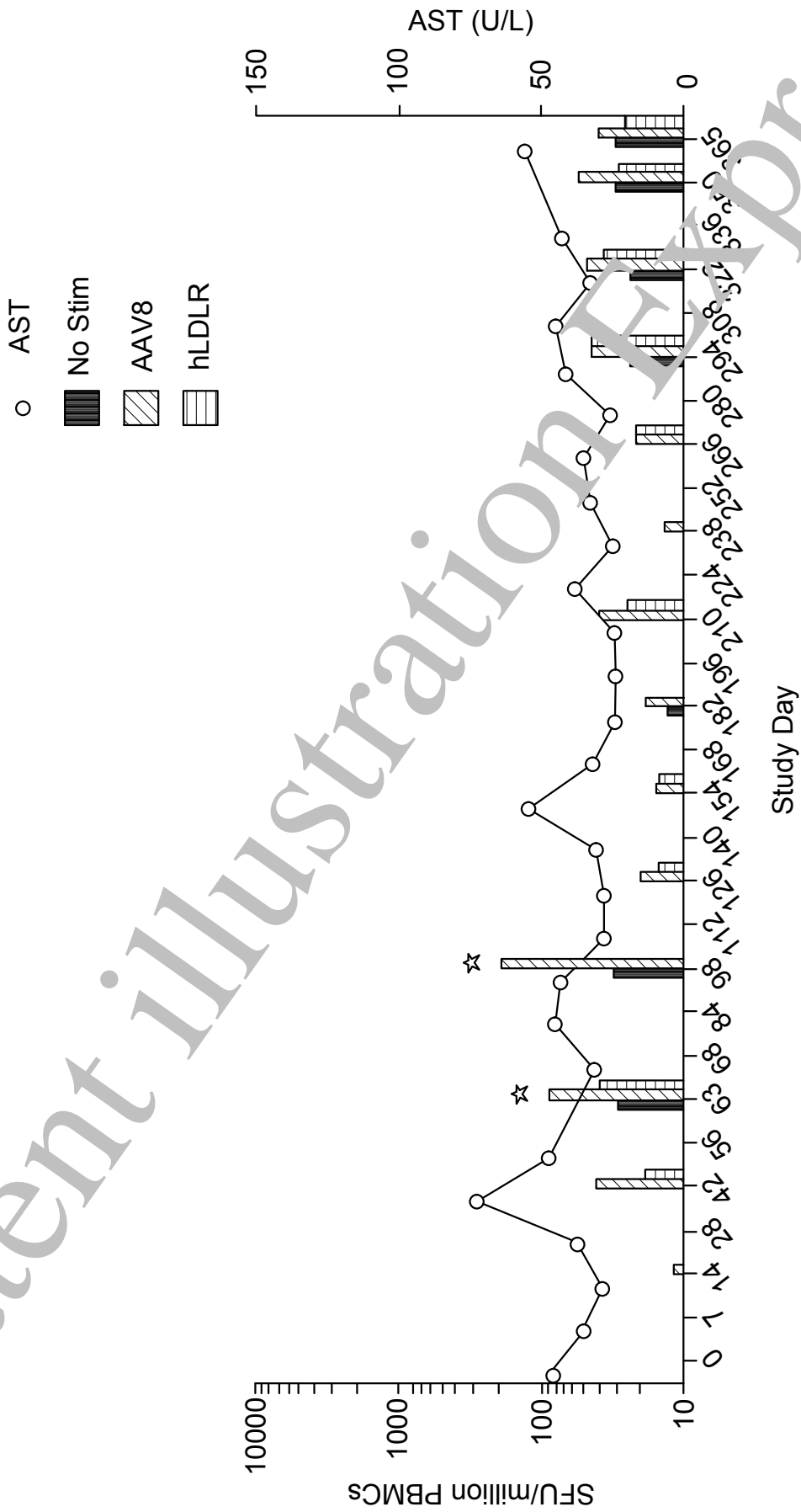


FIG. 6A

Patent illustration Express

7/14

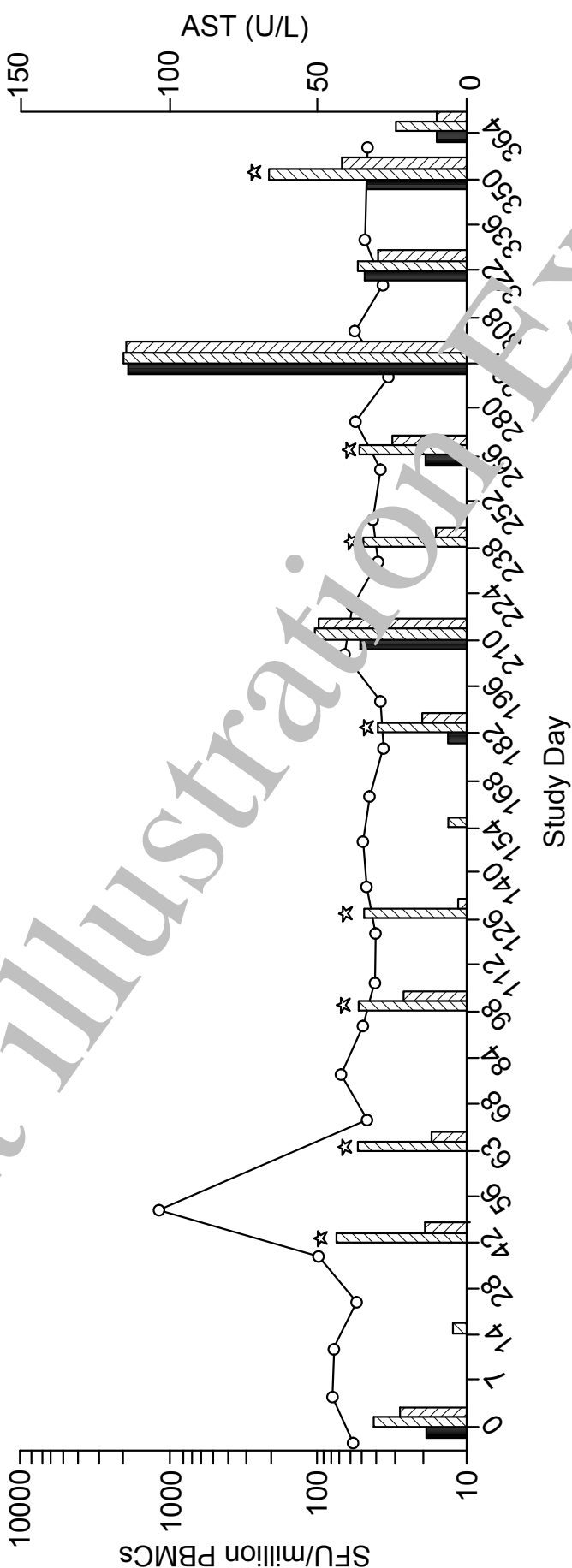


FIG.6B

Patent illustration Express

8/14

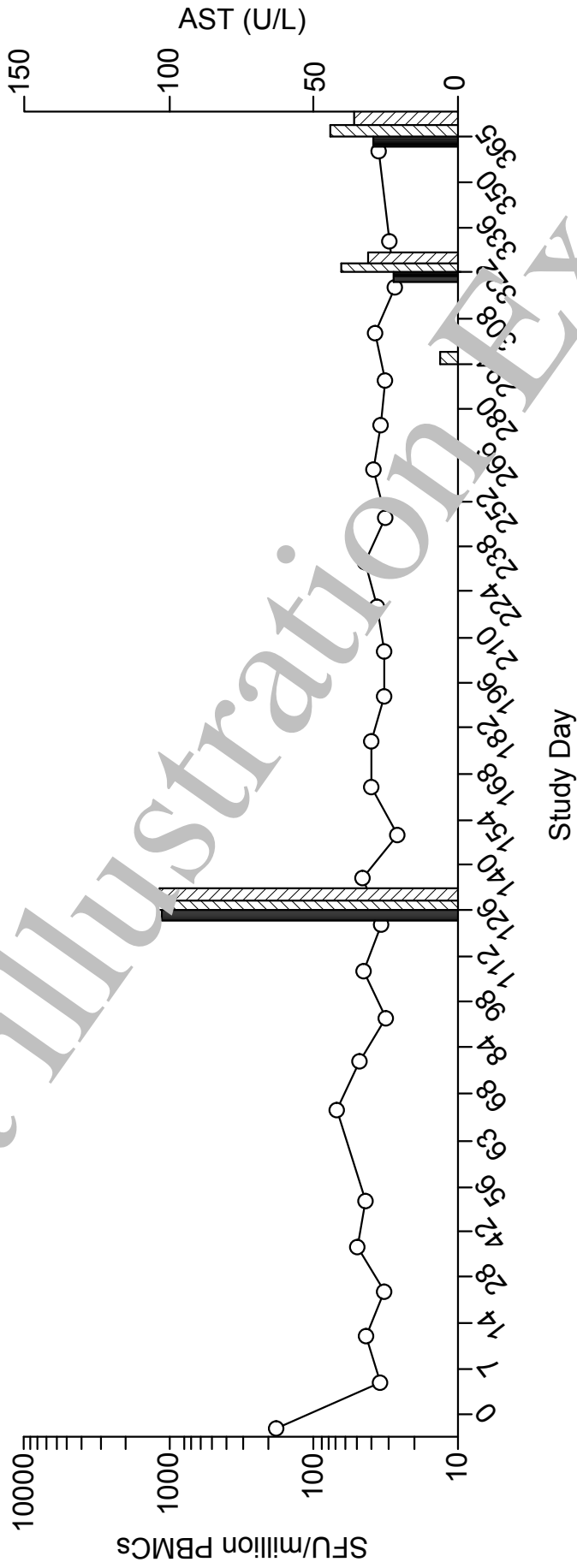


FIG. 6C

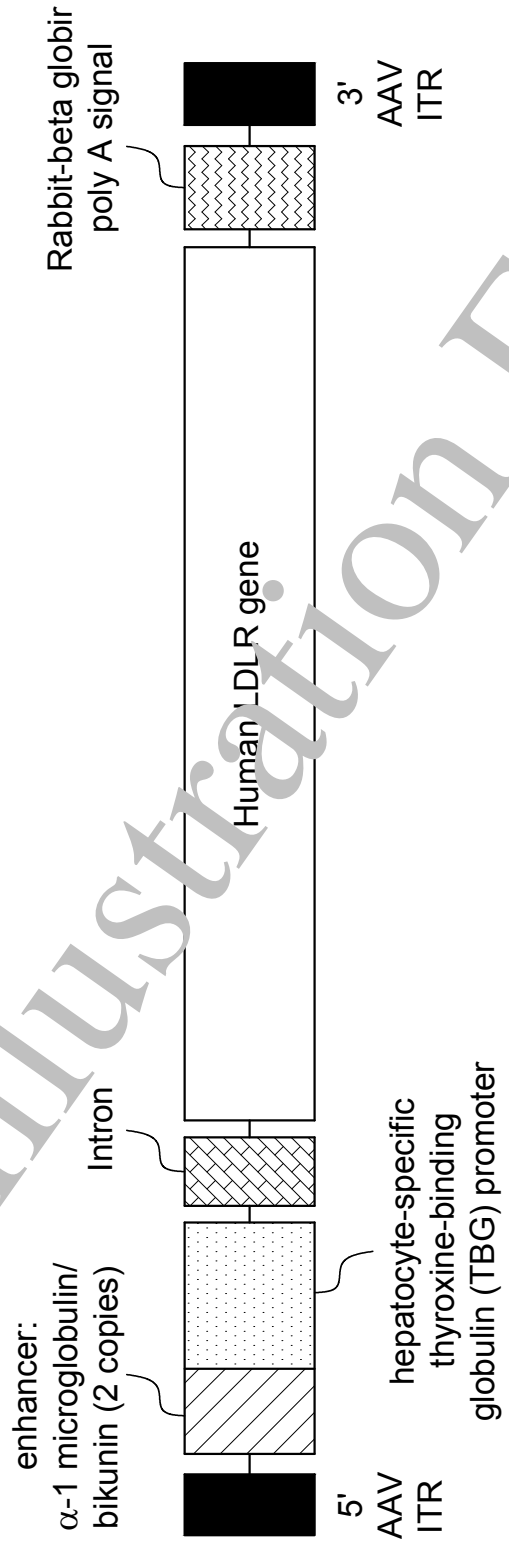


FIG. 7

Patent illustration Express

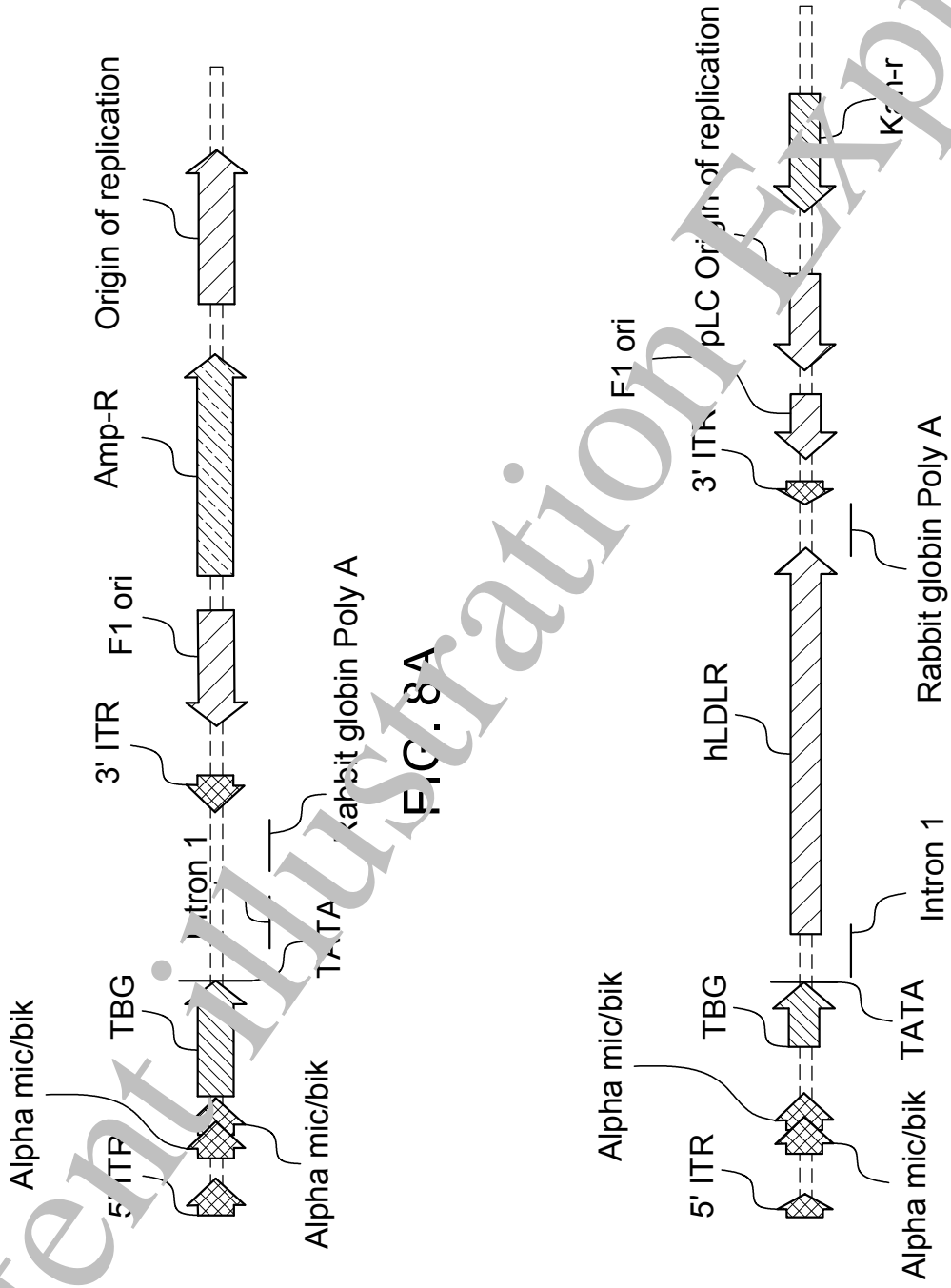


FIG. 8A

FIG. 8B

Patent Illustration Express

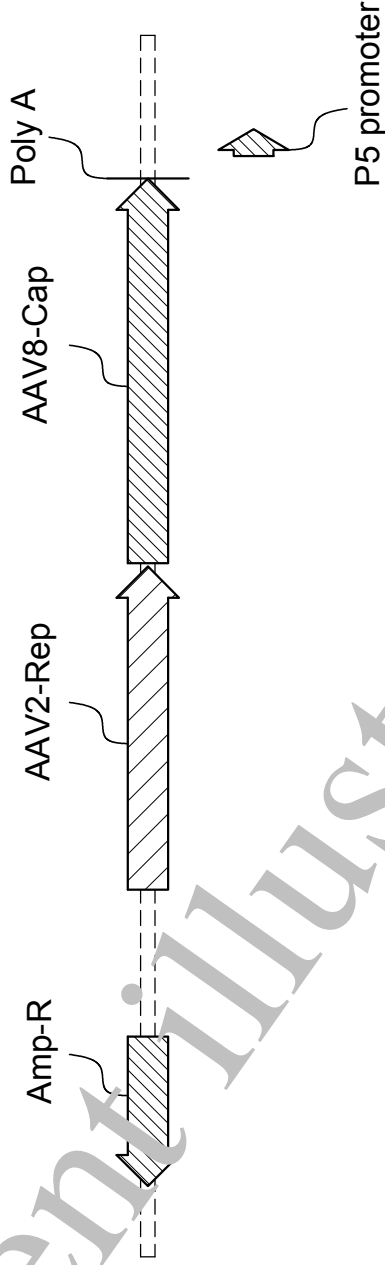


FIG. 9A

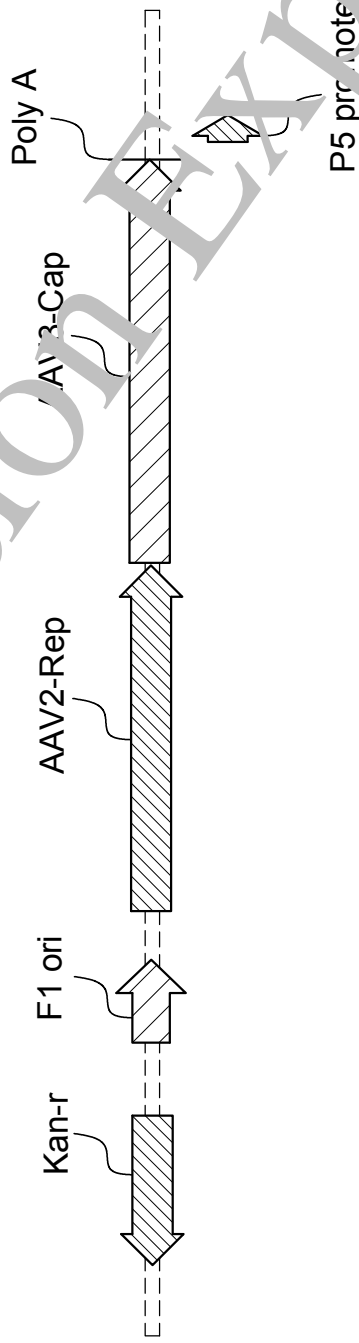
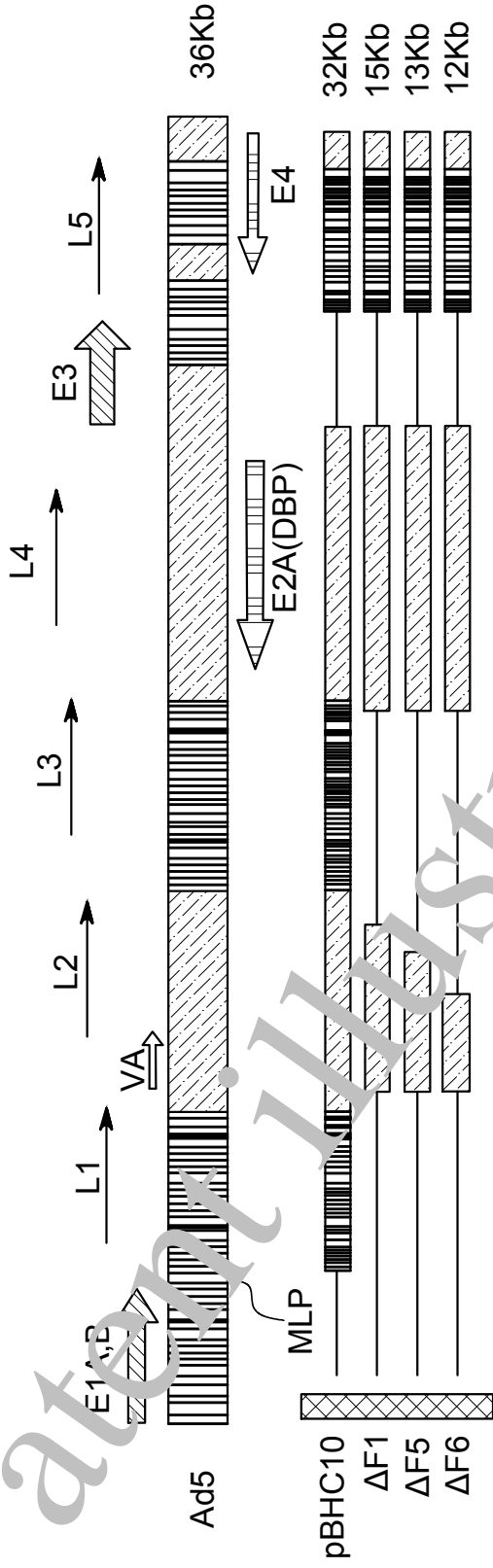


FIG. 9B

Patent Illustration Express



ΔF1 = pBHC10 minus MLP to Sall, and PmcV Sgn fragments
 ΔF5 = ΔF1 minus NRUL/NRUL(2.3Kb) fragment
 ΔF6 = ΔF5 minus RsrII/NruI(0.5Kb) fragment

FIG. 10A

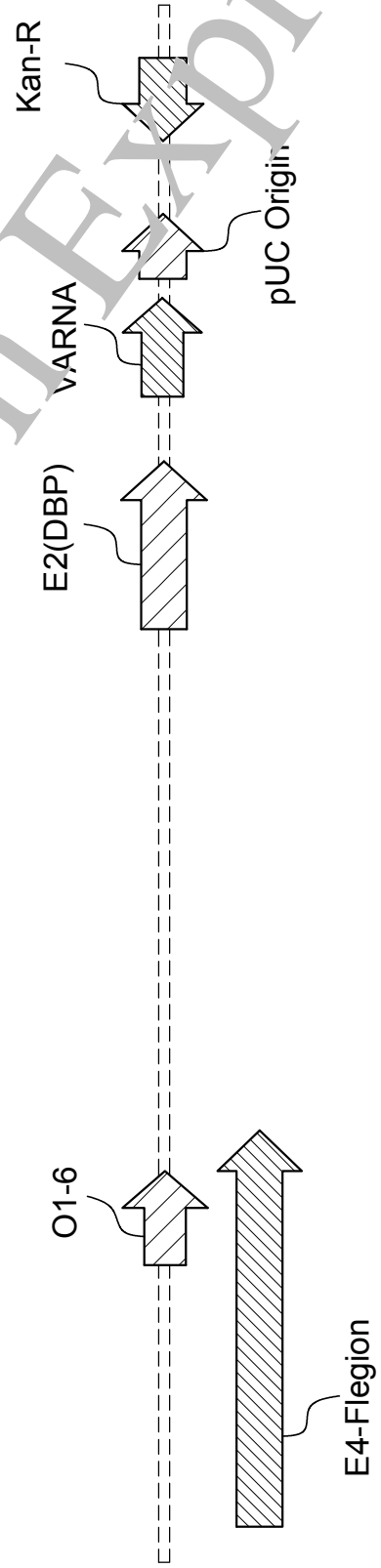


FIG. 10B