

FIG. 1

Patent illustration Express

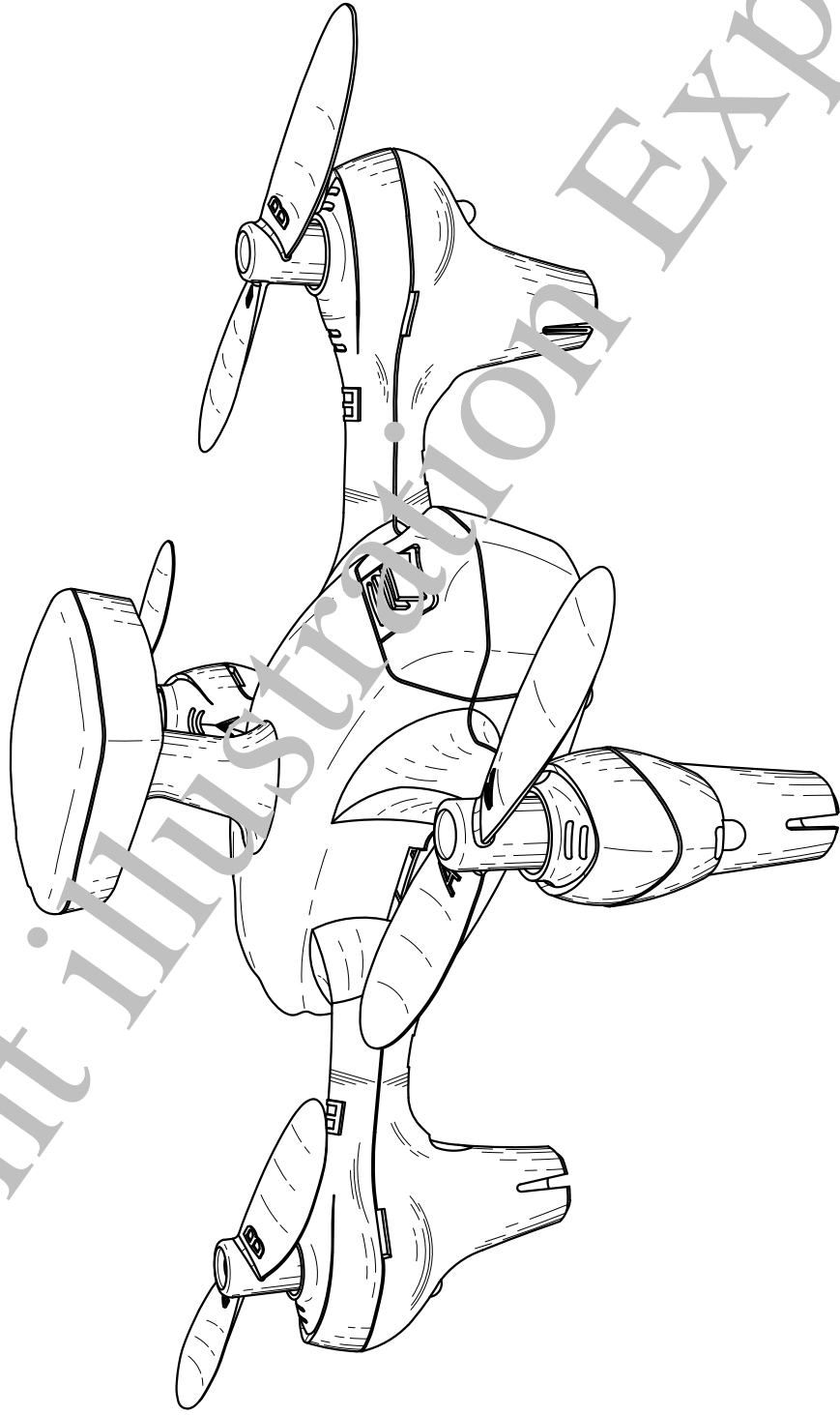


FIG. 2

Patent illustration Express

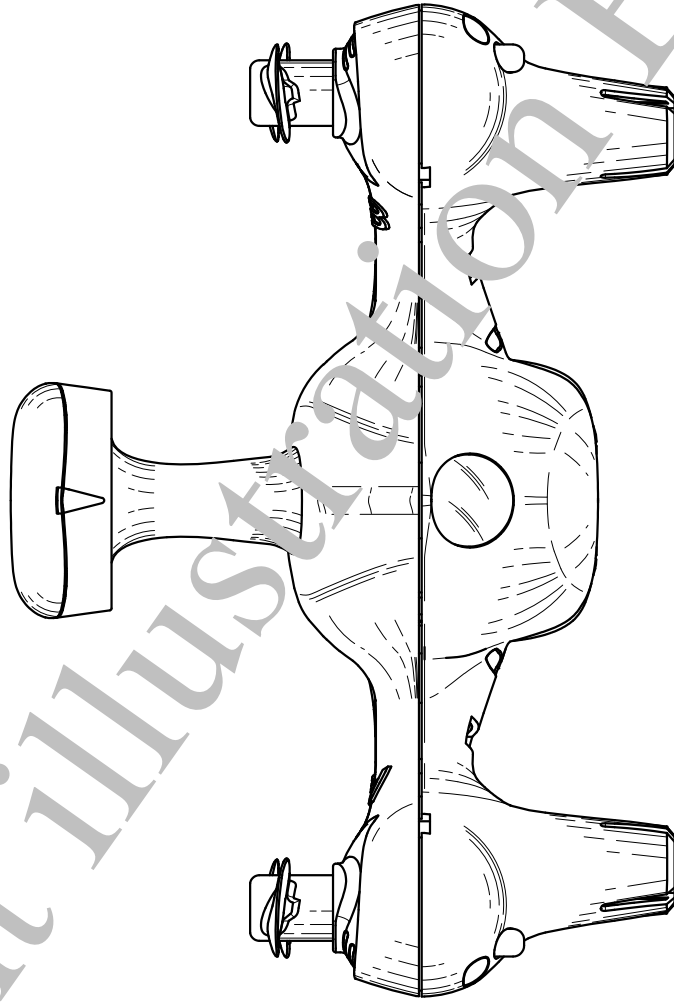


FIG. 3

Patent illustration Express

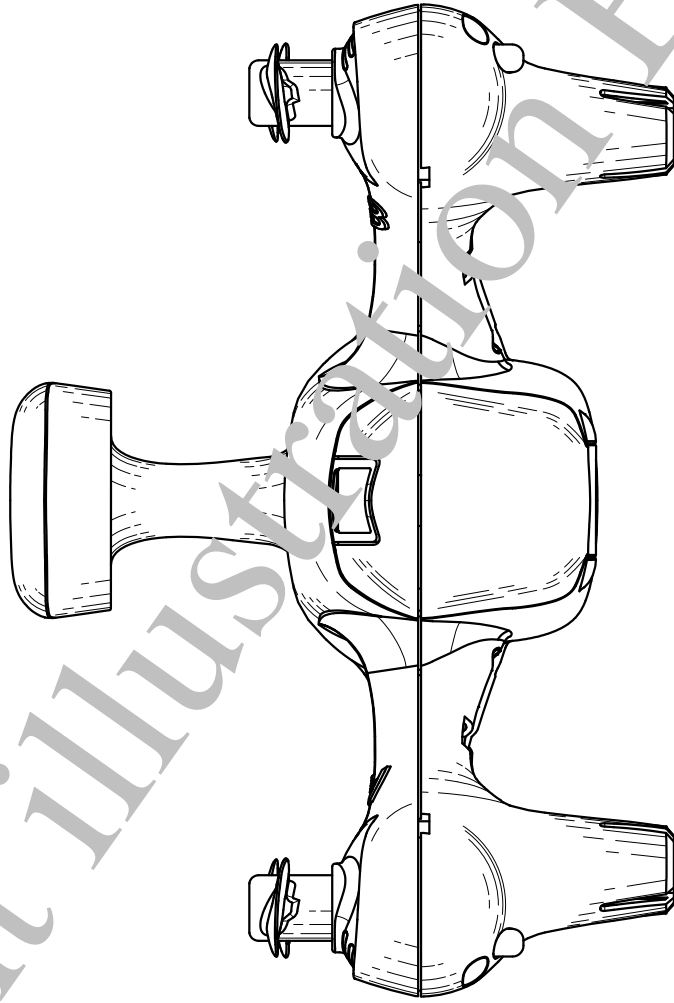


FIG. 4

Patent illustration Express

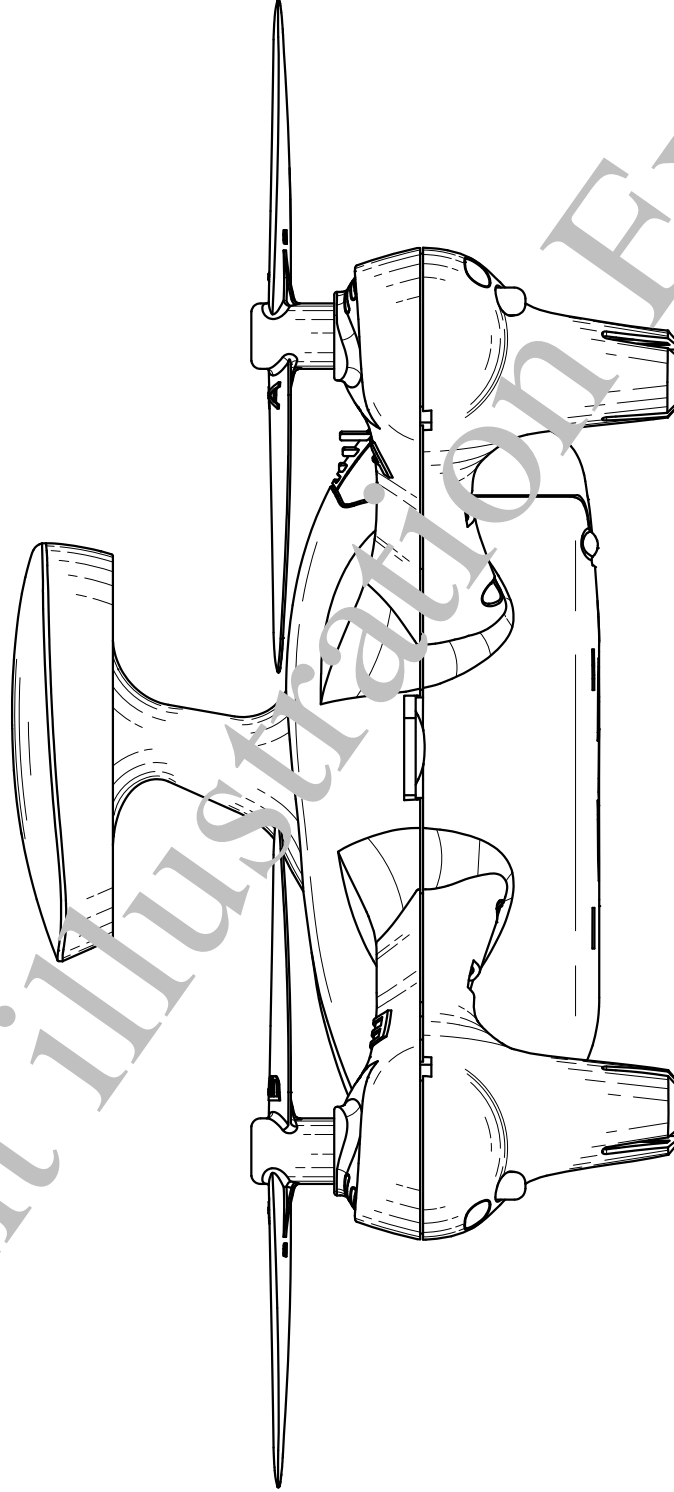


FIG. 5

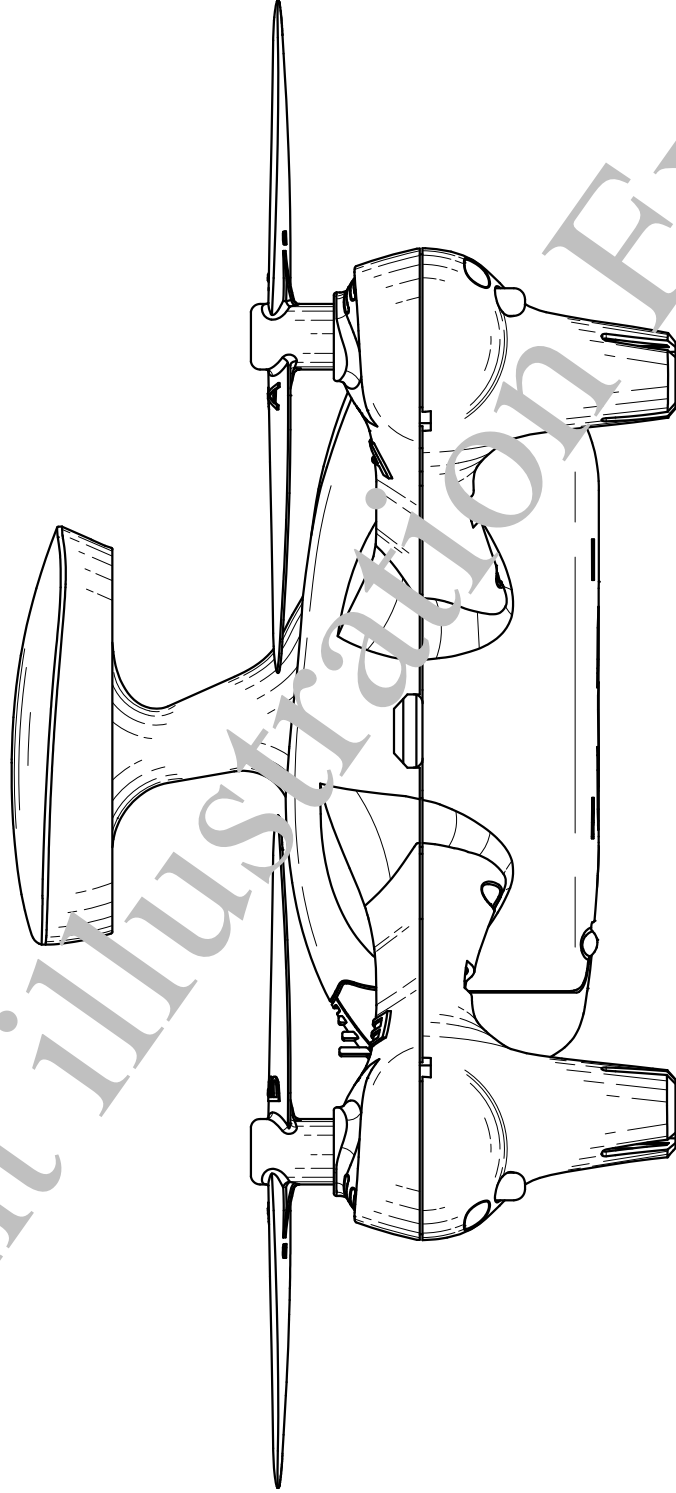


FIG. 6

Patent illustration Express

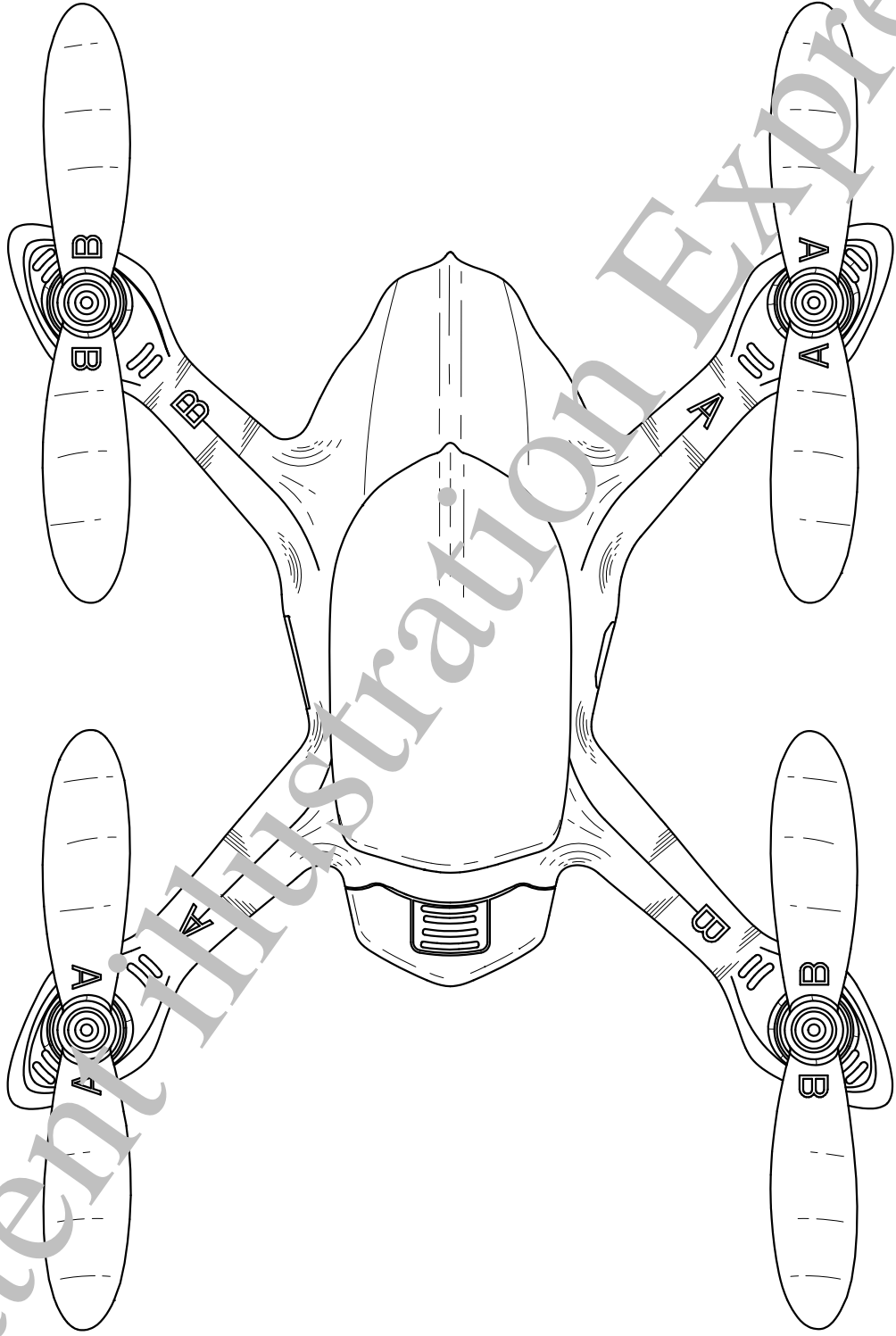


FIG. 7

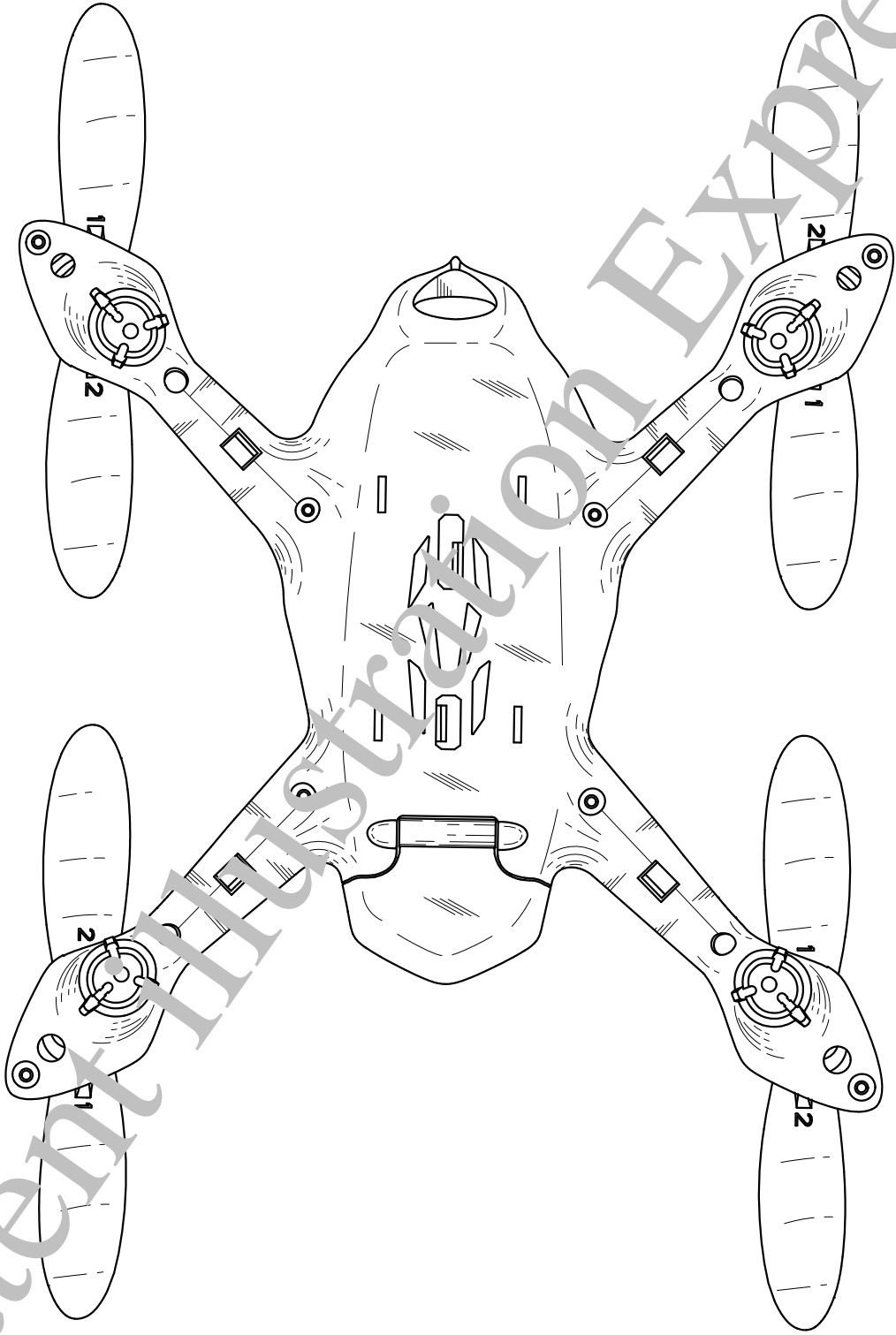


FIG. 8

Patent Illustration Express